

PRODUCT HIGHLIGHTS

- Datalogging and timestamping
- Trending, alarm logging, & sequence of events
- Stand alone control of remote sites
- IEC 61131 PLCopen & high level C++ programming
- Limitless multi-user connectivity
- Telephone, internet, and wireless telemetry
- Advanced communication capabilities
- Report on exception, store & forward, peer to peer
- Ethernet TCP, modbus, LINUX, OPC & more
- Small to large applications
- Scalable from 1 to 1,000+ stations
- Unlimited I/O expansion
- Grow from a few points to more than 50,000
- Master terminal unit / concentrator
- Collect data from unlimited remote stations
- Embedded LINUX open source software
- Web servers, custom com drivers & much more

PERFORMANCE SPECIFICATIONS

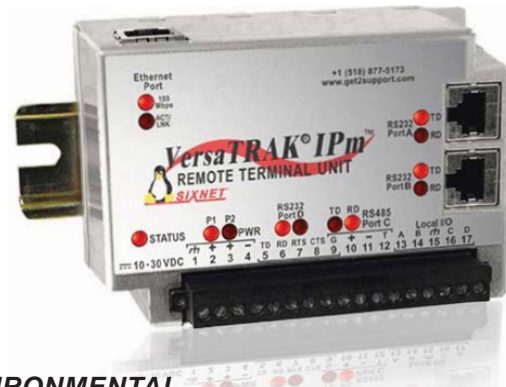
- Industrial PowerPC (32 bit data bus)
- Operating system Embedded LINUX
- Dynamic memory (RAM) 16 Megabytes – 32bit, 0 wait states
- Program memory (Flash) 16 Megabytes
- Datalogging memory (RAM) 512K or 2 MB (battery-backed)
Maximum local I/O 640
- Maximum distributed I/O 50,000+ (application dependent)
Datalogging support – Sixnet Sixlog
- IEC 61131 programming Yes – Sixnet ISaGRAF
- High Level C programming – LINUX open software

ETHERNET PORT

- 10/100BaseTx (auto-detecting)
- Connection RJ45 (auto-crossover) protocols TCP/IP, ARP, UDP, ICNP, DHCP, Modbus/TCP, Sixnet, and more

SERIAL PORTS

- Up to 115,200 baud
- RS232 Port A RJ45 (TD, RD, CTS, RTS, CD, DTR, DSR, GND)
- RS232 Port B RJ45 (TD, RD, CTS, RTS, CD, DTR, DSR, GND)
- RS485 Port C Screws (485+, 485-, GND) (2-wire half-duplex)
- RS232 Port D Screws (TD, RD, CTS, RTS, GND)
- Protocols (master & slave) Sixnet & Modbus RTU/ASCII; many others available in LINUX
- Flow Control Hardware, software, RTS-party (for radios and RS485)

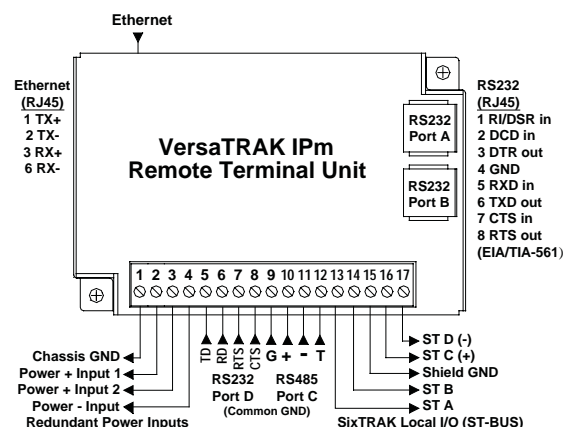


ENVIRONMENTAL

- DIN rail or flat panel mount
- Input power 10-30 VDC
- Input current 100 mA @ 24 VDC (typical)
- Temperature -40 to 70°C (-40 to 85°C storage)
- Humidity 5% to 95% RH (non-condensing)
- Flammability UL 94V-0 materials
- Vibration IEC68-2-6000
- Electrical Safety UL 508, CSA C22.2/14; EN61010-1 (IEC1010)
- EMI emissions FCC part 15, ICES-003, Class A; CE
- EN55022; EN61326-1; CE
- EMC immunity EN61326-1 (EN61000-4-2,3,4,6); CE
- Vibration IEC68-2-6000
- Hazardous locations UL 1604, CSA C22.2/213, (Class 1, Div 2, Category 3, Groups A,B,C,D) Cenelec EN50021 Zone 2

All specifications are subject to change. Consult factory for latest info.

DRAWING



ORDERING GUIDE

VT-IPM-1410	512K Static RAM; 16MB Dyn. RAM; 16MB Flash
VT-IPM-2410	2 MB Static RAM; 16MB Dyn. RAM; 16MB Flash